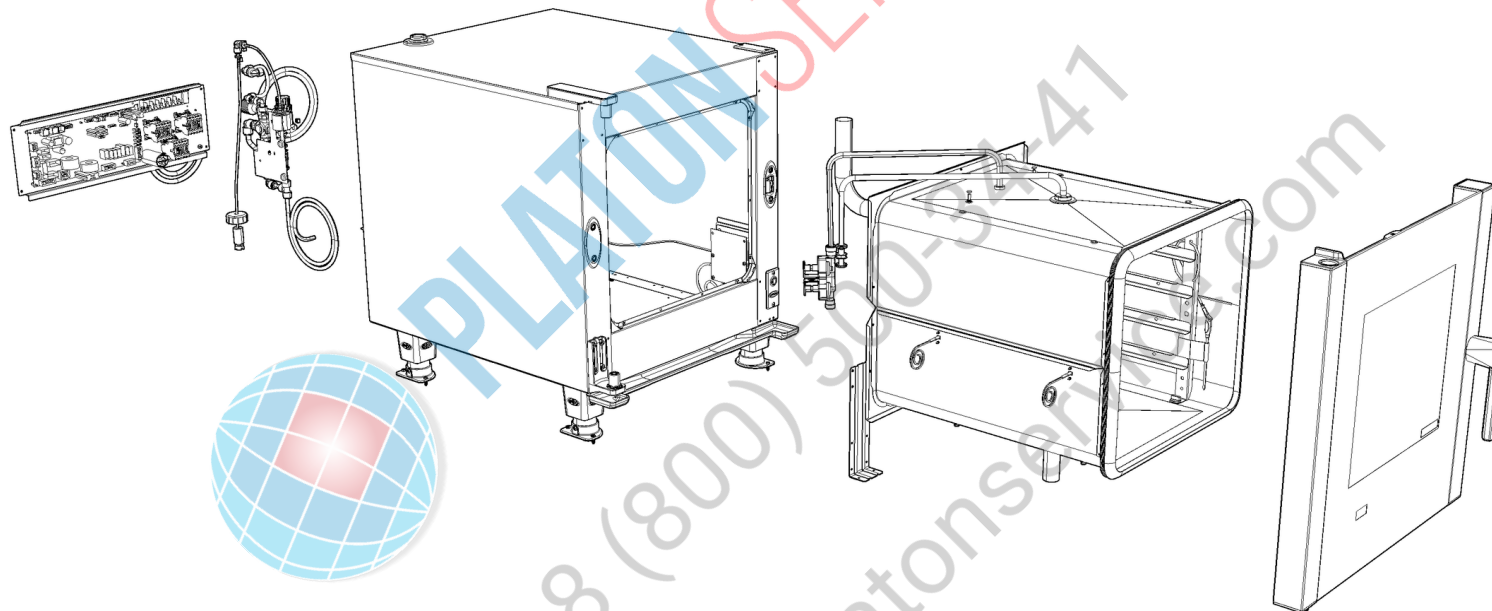
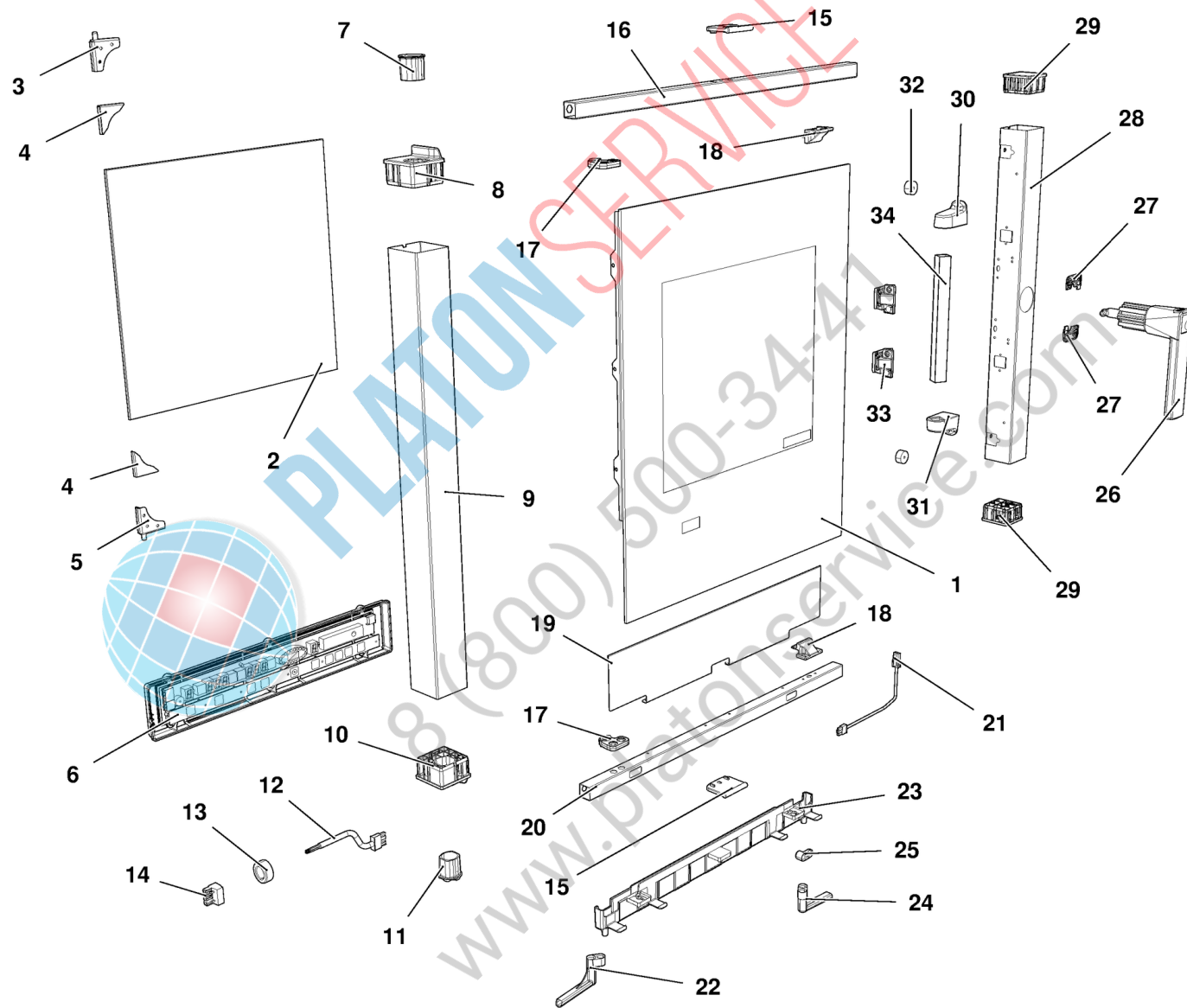


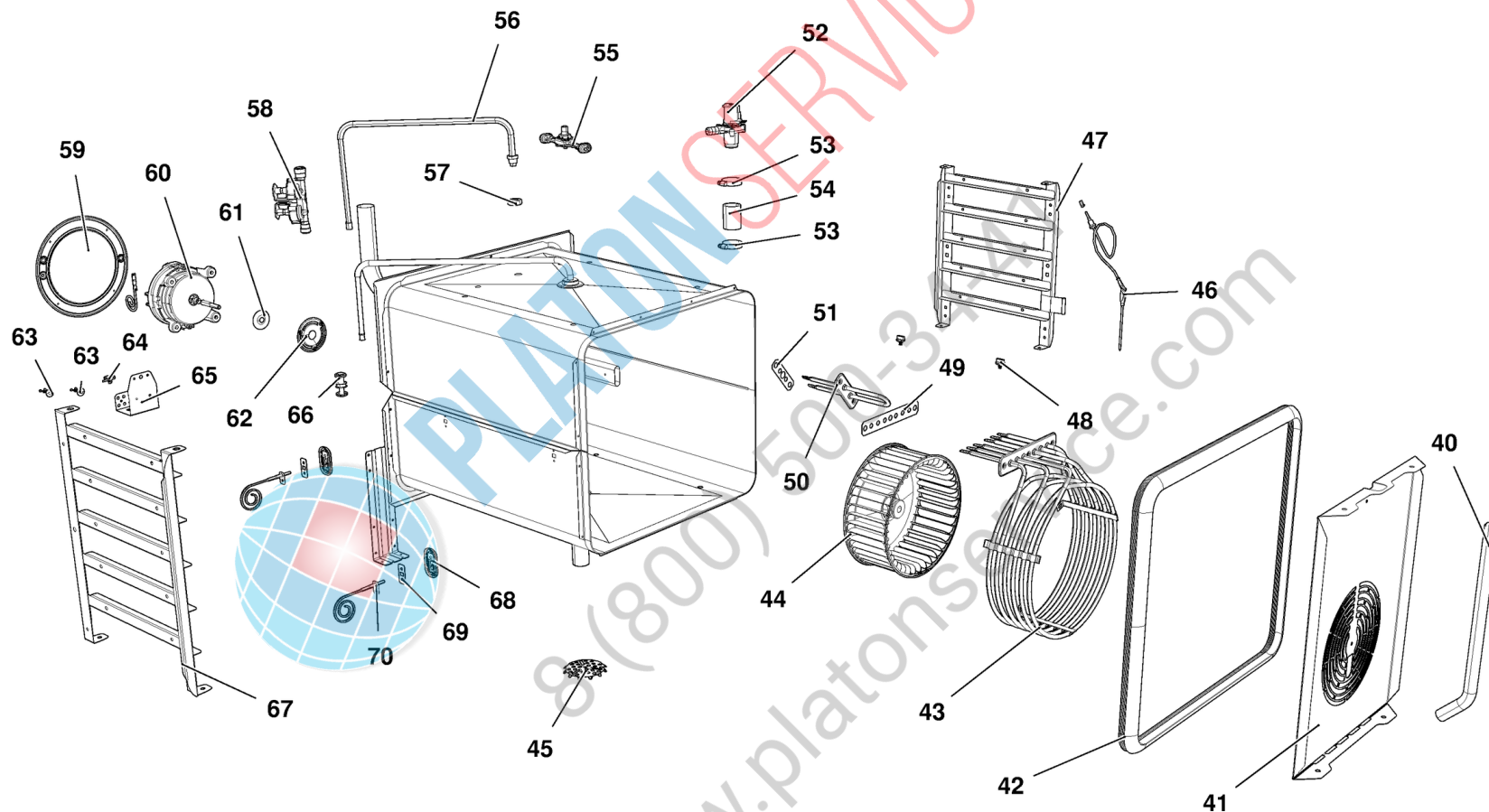
MOD:XVC205E



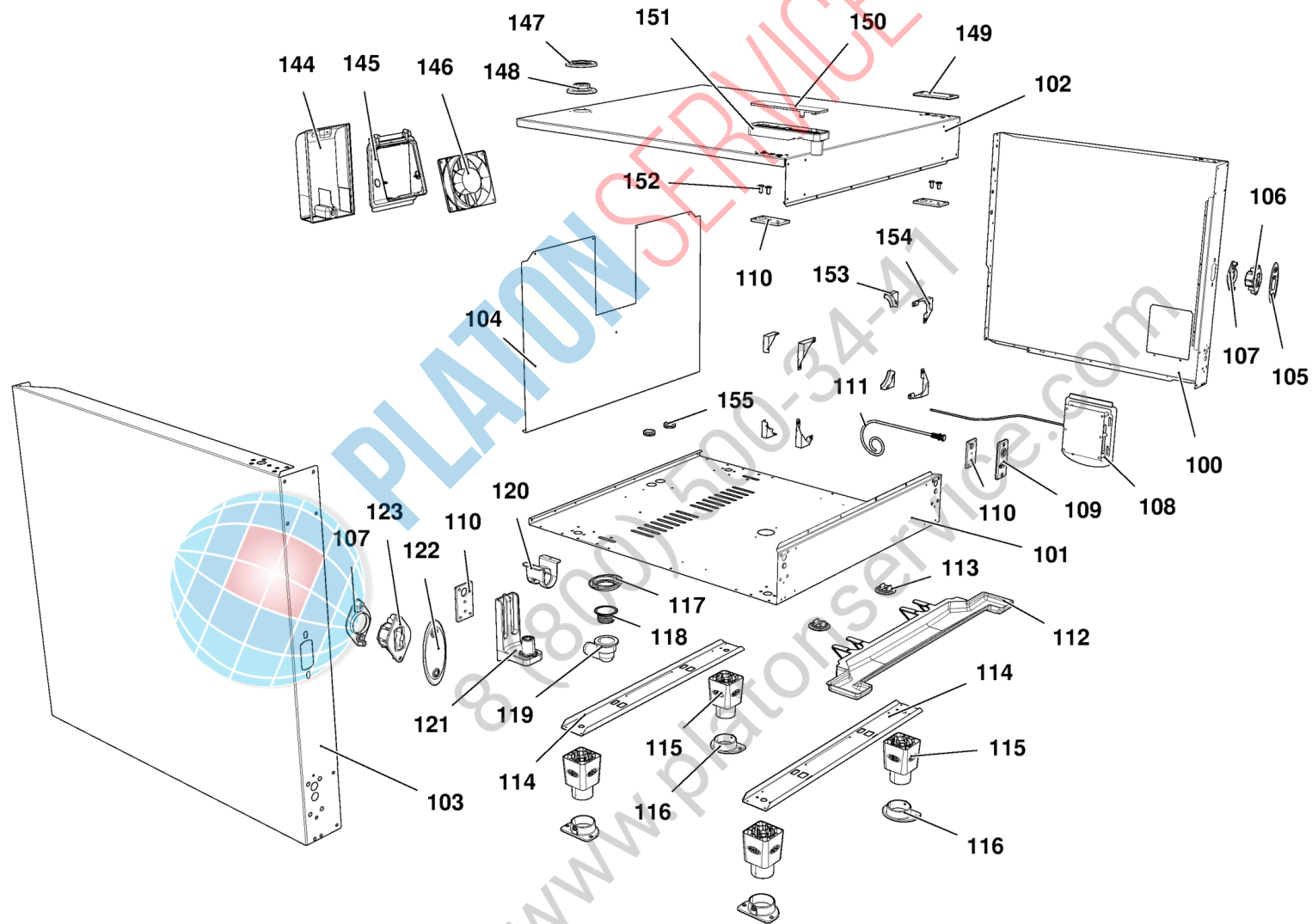
MOD:XVC205E



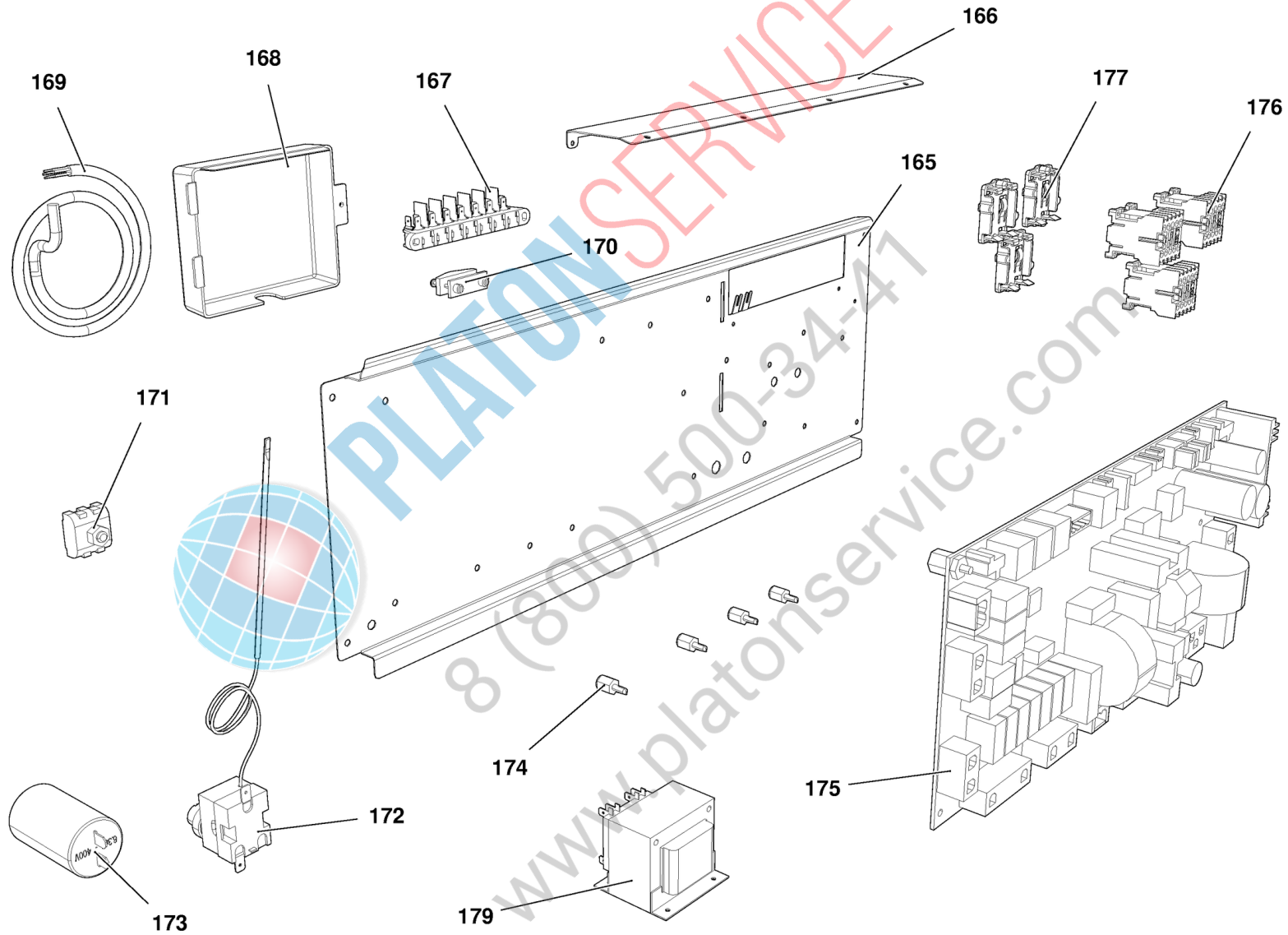
MOD:XVC205E



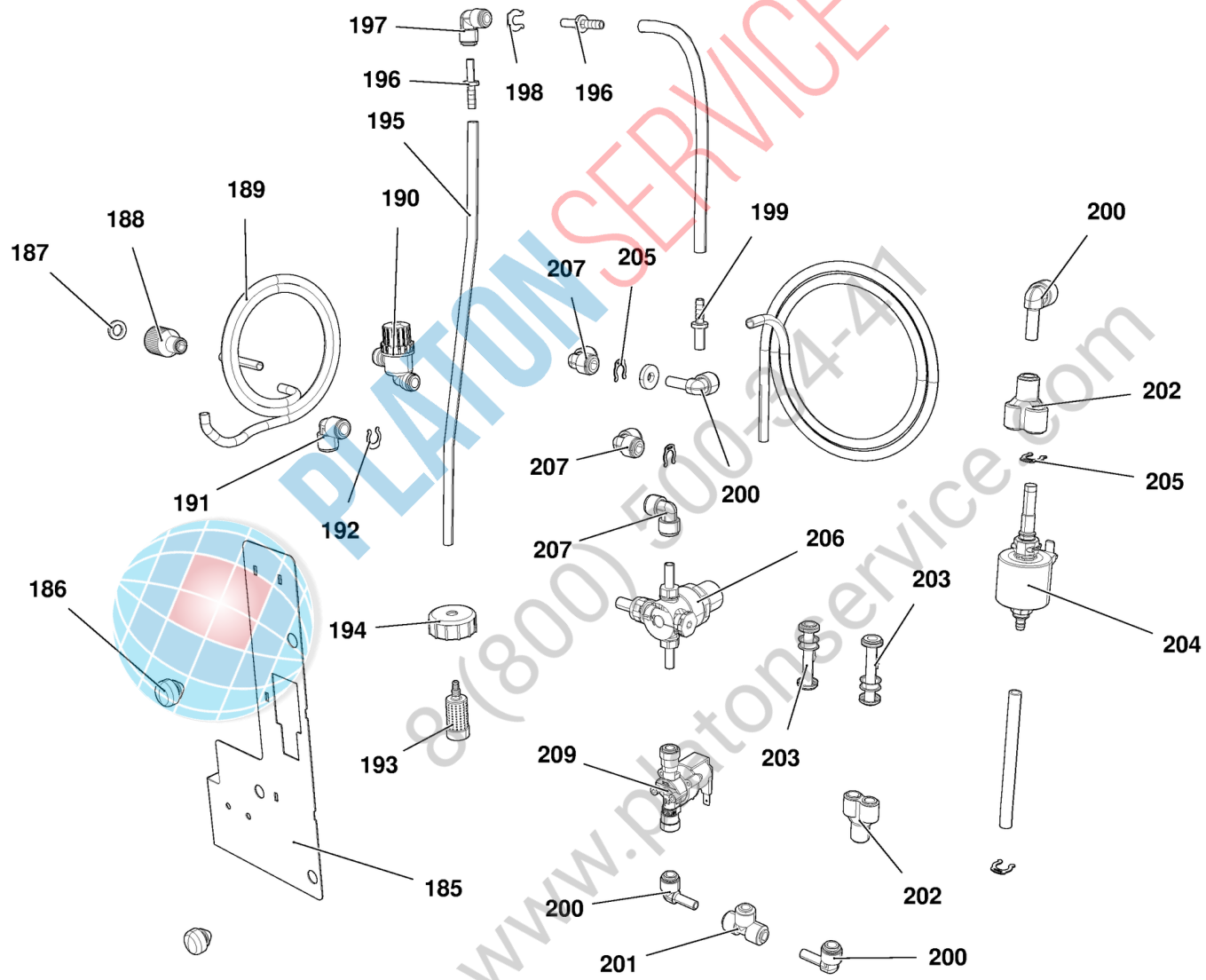
MOD:XVC205E



MOD:XVC205E



MOD:XVC205E



MOD:XVC205E



IT

Descrizione codici

1	VT1091B	VETRO ESTERNO SER. 471X555X4 CTFI
2	VT1090A	VETRO INTERNO 457X432X6 BETFL XVC
3	CR1085A	CERNIERA VETRO INT INOX SUP
4	GN1181A	GUARNIZIONE CERN VETRO INT CR1085
5	CR1086A	CERNIERA VETRO INT INOX INF
6	PE1740A	SCHEDA CONTROLLO PE1705 CT BT
7	VM1511A	BOCCOLA LISCIA PERNO PORTA CHEFFT
8	VM1170B	TAPPO FULCRO SUP. PORTA XVC204/30
9	TB1181A	COLONNINA SX PORTA XVC205 50x50x1
10	VM1171B	TAPPO FULCRO INF. PORTA XVC204/30
11	VM1510A	BOCCOLA SCANALATA PERNO PORTA XBC
12	CE1275A	CAVO COLLEGAMENTO POTENZA CONTROL
13	CE1285A	FERRITE EMI ROUND MOD. 2643801502
14	CE1290A	MORSETTO FEMMINA ESTRAIBILE CPF 5
15	VM2031A	PREMIVETRO ESTERNO
16	TB2357A	LISTELLO SUP. XVC205E 20x20x1
17	VM1680A	CERNIERA APERTURA VETRO INTERNO
18	VM2043A	SUPPORTO VETRO SUP - INF
19	OH2736A	PROFILO INOX PARACALORE CRUSCOTTO
20	TB2358A	LISTELLO INF. XVC205E 20x20x1
21	CE1665A	CAVO ALIMENTAZIONE BARRA LED 1 MT
22	VM2014A	TUBO PER PROFILO RACCOGLI GOCCE S
23	VM1615A	PROFILO SALVAGOCCIA 200
24	VM2015A	TUBO PER PROFILO RACCOGLI GOCCE D
25	VM2044A	TAPPO PER PROFILO RACCOGLI GOCCE
26	VM1180B	IMPUGNATURA MANIGLIA CT BT
27	VM1490A	COPRI VITI MANIGLIA CHEFTOP BAKER
28	TB1066A	COLONNINA DX XVC205E 50x50x1.2
29	VM1175A	TAPPO ESTETICO COLONNINA PORTA
30	VM1621A	SUPPORTO SUP BARRA LED
31	VM1620A	SUPPORTO INF BARRA LED
32	VE1030A	CALAMITA D=22,9mm PER MICROPORTA
33	VM2042A	ASSIEME CHIUSURA VETRO INTERNO LA
34	LP1007A	BARRA ILLUMINAZIONE LED L200
40	TB2320A	TUBO UMIDITA' XVC305E/705E Ø16x1
41	OG1508A	CARTER ARIA XVC205E
42	GN1388C	GN1000B-GUARNIZIONE PORTA XVC205E
43	RS1225A	RES. CIRCOLARE 4700W 230V D230 6
44	VN1030A	VENTOLA D196 H81 39 PALE DADO M8
45	OH2551A	TAPPO PER TUBO DI SCARICO LIQUIDI
46	TR1040A	SONDA AL CUORE STAMPATA L=1320
47	GRL1220A	SUPPORTO LATERALE DX INOX 5TG GN1
48	VM1820A	NOTTOLINO M6 CROMATO FISS. SUPPOR
49	GN1085A	GUARNIZIONE RESISTENZA 141x24 G6.
50	RS1215A	RES. PIANA 147W 105V D230 1 SPIRA
51	GN1326A	GUARNIZIONE RESISTENZA 71x19 G6.2
52	VE1135A	ATTUATORE VENTURI 220V 50/60 Hz S
53	RC1378A	FASCETTA STRINGI TUBO ZINCATA
54	TB1956A	TB1520A-TUBO NERO EPDM L=50
55	VM1955B	CORPO GIRANTE LAVAGGIO
56	TB1515A	TUBO EST. UMIDITA' + RC1165A0
57	RC1170A	DADO M14 H=8 CH=22 INOX
58	EL1361A	ELETTROVALVOLA TRI-STADIO JG D8-D
59	OH3586A	LAMIERA PROTEZIONE MOTORE ZINCATO
60	VN1130A	MOTORE FORNO 330W 230V 50/60HZ
61	GN1140A	GUARNIZIONE PORTAMOTORE STAMP.
62	OH4305A	DISCO TENUTA ALBERO MOTORE INOX S
63	VM1610A	CLIP TWIST LOCK DIAM. 7,6-10,2 MM
64	RC1310A	FASCETTA RICHO 140X4 CON CLIP
65	OH4851A	STAFFA CABLAGGIO CT BT -
66	EL1055A	RIDUZIONE INTERMEDIA D10-D8
67	GRL1221A	SUPPORTO LATERALE SX INOX 5TG GN1
68	VM1465A	COPERCHIO SONDA TEMPERATURA CHEFT
69	GN1285A	GUARNIZIONE SONDA DI TEMPERATURA
70	TR1105A	SONDA TEMPERATURA PT100 L1000
100	OD2177A	FIANCO DX XVC305E
101	OE1323A	FONDO ESTERNO XVC205E
102	OD2192A	COPERCHIO XVC205E
103	OD2176A	FIANCO SX XVC305E
104	OF1456A	SCHIENA XVC205E
105	VM1460A	COPERCHIO DX SCROCCO PORTA XBC/XV
106	VM1190A	SCROCCO MANIGLIA DX CT BT
107	VM1192A	COPERCHIO SCROCCO MANIGLIA CT BT
108	PE1971B	ASM SCHEDA UNOX.LINK MODBUS RJ45+
109	VM1201A	PIASTRINA SUPPORTO MICROPORTA MAG
110	OH2560A	CONTROSTAFFA ZINCATA PORTA C.T.
111	VE1020A	MICROINTERRUTTORE PORTA MAGNETICO
112	VM1990A	CASSETTO RACCOGLI GOCCE 574
113	VM1220A	CLIP FISSAGGIO CASSETTO RACCOGLI
114	OH6507A	LAMIERA RINFORZO PIEDI H100 CT 05
115	PD1066B	PIEDE H100 PLASTICA BICOMPONENTE
116	PD1063A	STAFFA BLOCCAGGIO PIEDE CT BT
117	VM2039A	ANELLO FISSAGGIO CURVA DI SCARICO
118	GN1400A	GUARNIZIONE SIFONE
119	VL1026A	CURVA PER TUBO DI SCARICO
120	VM2035A	SUPPORTO PER TUBO DI SCARICO
121	VM1160B	STAFFA INFERIORE PORTA CT BT
122	VM1461A	COPERCHIO SX SCROCCO PORTA XBC/XV
123	VM1191A	SCROCCO MANIGLIA SX CT BT
144	VM1556A	PROTEZIONE VENTOLA RAFFREDDAMENTO
145	VM1555A	SUPPORTO VENTOLA RAFFREDDAMENTO C
146	VN1163A	VENTOLA RAFFREDDAMENTO 230V
147	OH3790A	LAMIERA TENUTA CAMINO
148	GN1275A	GUARNIZIONE CAMINO SILICONE NERO
149	VM1195A	PIASTRINA COPRIFORI XVC204/304/50
150	VM1166A	COPERCHIO STAFFA SUPERIORE PORTA
151	VM1165B	STAFFA SUPERIORE PORTA CT BT
152	VM1240A	TAPPO NYLON SUPPORTO CONTROSTAFFA
153	VM1008A	ANGOLARE INT. SUPPORTO GUARNIZION
154	OH1450A	ANGOLO FACCIATA MUFFOLA INOX XB-X
155	VM1505A	PASSAPARETE CON DIAFRAMMA
165	OH7045A	PROFILO PORTA COMPONENTI XVC205E
166	OH7077A	PROFILO PROTEZIONE SCHEDA POTENZA
167	MR1004A	MORSETT. 7FTW GV V0 VL CU 1+2+3/4
168	VM1310A	SCATOLA COPRI MORSETTIERA XB/XV/X
169	CE1355A	CAVO 5X2,5MMQ H07RN-F L=1,5MT
170	VE1075A	PRESSACAVO FV 268 RO-VITI FISSAGG
171	VM1750A	MORSETTIERA A PETTINE
172	TR1136A	TERMOSTATO SIC. UNIP. 330°C
173	CN1003A	CONDENSATORE CORAZZATO 6,3 uF
174	VM1745A	SUPPORTO PER SCHEDA
175	PE1725E	SCHEDA POTENZA FORNI CT-BT S5.E
176	VE1115A	MINICONTATTORE QUADRIPOLE 20 A
177	VM1056A	STAFFA TELERUTTORE PICCOLO VE1115
179	VE1026A	TRASFORMATORE 230-21-12Vac 90VA
185	OH6413A	SUPPORTO IMPIANTO IDRICO
186	VM1630A	TAPPO PREMI VETRO INTERNO
187	GN1200A	GUARNIZIONE D=24 RACCORDO 3/4 GOM
188	RC1365A	RACCORDO JG FEMMINA 3/4"-10
189	TB2237A	TUBO Ø10 ALLACCIAMENTO RETE
190	VL1034A	FILTRO ACQUA Ø10 MESH100
191	RC1360A	RACCORDO GOMITO JG 10-10
192	EL1349A	CLIP BLOCCA PINZETTA RACCORDI D10
193	VL1044B	FILTRO RETINATO CON AFFONDANTE
194	VL1041B	TAPPO DETERGENTE FORATO Ø11
195	TB2242B	TUBO PVC 9X6
196	VL1046A	PORTAGOMMA D6-CODOLO D6
197	RC1373A	RACCORDO GOMITO Ø6F-Ø6F
198	EL1348A	CLIP BLOCCA PINZETTA RACCORDI D6
199	VL1047A	PORTAGOMMA D6-CODOLO D8
200	EL1195B	RACCORDO GOMITO D8F-D8M
201	EL1020A	RACCORDO INTERMEDIO "T" TUBO Ø8
202	EL1115B	RACCORDO Y D8
203	EL1180A	RACCORDO NON RITORNO Ø8 Ø8 FEMMIN
204	VL1038A	POMPA VIBRAZIONE
205	EL1345A	CLIP BLOCCA PINZETTA RACCORDI Ø8
206	VL1014A	RIDUTTORE DI PRESSIONE CON DISTRI
207	EL1185B	RACCORDO GOMITO D8F-D8F
208	TB2235A	ROCCETTO DETERGENTE TUBO Ø8
209	EL1411A	ELETTROVALVOLA H2O CON CHECK VALV

MOD:XVC205E



EN

Codes descriptions

1	VT1091B	XVC205 EXTERNAL GLASS
2	VT1090A	INNER GLASS 457X432X6 BETFL XVC20
3	CR1085A	INTERNAL GLASS UPPER HINGE
4	GN1181A	INTERNAL GLASS HINGE SEAL
5	CR1086A	INTERNAL GLASS LOWER HINGE
6	PE1740A	CT BT CONTROL BOARD PE1705 + BOAR
7	VM1511A	XBC/XVC SLEEK DOOR PIN BUSHING
8	VM1170B	UPPER DOOR FULCRUM CAP
9	TB1181A	XVC205 DOOR LEFT COLUMN
10	VM1171B	DOOR LOWER FULCRUM CAP
11	VM1510A	XBC/XVC GROOVED DOOR PIN BUSHING
12	CE1275A	CONNECTION CABLE POWER - CONTROL
13	CE1285A	EMI ROUND FERRITE MOD.2643801502
14	CE1290A	EXTRACTABLE FEMALE TERMINAL CPF 5
15	VM2031A	EXTERNAL GLASS PUSHING PLATE
16	TB2357A	XVC205E UPPER DOOR LISTEL
17	VM1680A	INTERNAL GLASS HINGE
18	VM2043A	UPPER - LOWER GLASS SUPPORT
19	OH2736A	STAINLESS STEEL HEAT-GUARD FOR
20	TB2358A	XVC205E LOWER DOOR LISTEL
21	CE1665A	LED POWER SUPPLY 1 M CABLE
22	VM2014A	LEFT DRIP PROFILE PIPE
23	VM1615A	XVC205E DRIP TRAY
24	VM2015A	RIGHT DRIPPING PIPE
25	VM2044A	DRIP PROFILE CAP
26	VM1180B	ChefTop/BakerTop HANDLE HAFT
27	VM1490A	CHEFTOP/BAKERTOP HANDLE SCREWS CO
28	TB1066A	XVC205E DOOR RIGHT COLUMN 50x50x1
29	VM1175A	DOOR COLUMN BLANKING CAP
30	VM1621A	LED BAR UPPER SUPPORT
31	VM1620A	LED BAR LOWER SUPPORT

32	VE1030A	MAGNET FOR DOOR MICROSWITCH D=22,
33	VM2042A	INTERNAL GLASS LATERAL LOCKING SY
34	LP1007A	LED LIGHT BAR L200
40	TB2320A	XVC305E/705E INTERNAL WATER PIPE
41	OG1508A	XVC205E FAN GUARD
42	GN1388C	XVC205e DOOR GASKET - GN1000B
43	RS1225A	6 T. HEATING ELEMENT 1,7+1,7+1,3
44	VN1030A	MOTOR FAN D196 H81 39 BLADE NUT M
45	OH2551A	XBC/XVC ST.STEEL DRAIN COVER
46	TR1040A	MOLDED CORE PROBE L=1320
47	GRL1220A	5 GN1/1 ST. STEEL RIGHT LATERAL S
48	VM1820A	LATERAL SUPPORTS M6 FIXING BOLTS
49	GN1085A	HEATING ELEMENT GASKET 141x24 G6.
50	RS1215A	147W 105V D230 1 TURN FLAT ELEMEN
51	GN1326A	ELEMENT SEALING 70X22X0.8
52	VE1135A	VENTURI ACTUATOR 220 V 50/60 Hz 5
53	RC1378A	HOSE CLAMP
54	TB1956A	TB1520A - EPDM BLACK PIPE L=50
55	VM1955B	WASHIG SYSTEM ROTOR
56	TB1515A	EXTERNAL WATER PIPE + RC1165A0
57	RC1170A	STAINLESS STEEL NUT M14 H=8 CH=22
58	EL1361A	J.G. THREE-STAGE SOLENOID VALVE D
59	OH3586A	ZINCATE MOTOR GUARD PLATE XBC-XVC
60	VN1130A	330W 230V 50/60HZ MOTOR
61	GN1140A	MOLDED MOTOR SUPPORT GASKET
62	OH4305A	ST. STEEL MOTOR SHAFT SEALING DIS
63	VM1610A	CLIP TWIST LOCK DIAM. 7,6-10,2 MM
64	RC1310A	140x4 CLAMP WITH CLIP
65	OH4851A	BT CT WIRING SUPPORT BRACKET
66	EL1055A	INTERMEDIATE REDUCTION FROM D=10
67	GRL1221A	5 GN1/1 ST. STEEL LEFT LATERAL SU

68	VM1465A	CHEFTOP TEMPERATURE PROBE COVER
69	GN1285A	NTC TEMPERATURE PROBE SEALING
70	TR1105A	TEMPERATURE PROBE PT100 L1000
100	OD2177A	XVC305E RIGHT SIDE
101	OE1323A	XVC205E EXTERNAL BOTTOM PANEL
102	OD2192A	XVC205E EXTERNAL COVER
103	OD2176A	XVC305E EXTERNAL LEFT SIDE
104	OF1456A	XVC205E EXTERNAL BACK PANEL
105	VM1460A	XBC/XVC RIGHT DOOR LATCH CAP
106	VM1190A	CT BT RIGHT DOOR SPRING LATCH
107	VM1192A	CT BT DOOR SPRING LATCH COVER
108	PE1971B	UNOX.LINK MODBUS RJ45+USB
109	VM1201A	MAGNETIC SUPPORT PLATE FOR DOOR M
110	OH2560A	XBC/XVC ZINC PLAT. DOOR COUNTERBR
111	VE1020A	MAGNETIC DOOR MICROSWITCH
112	VM1990A	DRIP TRAY
113	VM1220A	CLIP TO FIX DRIP TRAY C.T.
114	OH6507A	XVC055-205 H100 FOOT STIFFENING P
115	PD1066B	BI-COMPONENT FOOT H100
116	PD1063A	CT BT FOOT STOP BRACKET
117	VM2039A	DRAIN BEND FIXING RING
118	GN1400A	U-TRAP SEAL
119	VL1026A	BEND FOR DRAIN PIPE
120	VM2035A	DRAIN PIPE SUPPORT
121	VM1160B	CT BT DOOR LOWER BRACKET
122	VM1461A	XBC/XVC LEFT DOOR LATCH CAP
123	VM1191A	CT BT LEFT DOOR SPRING LATCH
144	VM1556A	XBC-XVC COOLING FAN GUARD
145	VM1555A	CT BT COOLING DOWN FAN SUPPORT
146	VN1163A	COOLING FAN 230V
147	OH3790A	CHIMNEY HOLDING PLATE

148	GN1275A	XBC/XVC BLACK CHIMNEY SEALING
149	VM1195A	HOLES BLANKING PLATE XVC204/304/5
150	VM1166A	CAP FOR DOOR UPPER STIRRUP XVC204
151	VM1165B	CT BT DOOR UPPER BRACKET
152	VM1240A	NYLON SUPPORT CAP
153	VM1008A	GASKET SUPPORT INTERNAL CORNER
154	OH1450A	XB-XV-XG ST. STEEL MUFFLE FRONT C
155	VM1505A	WALL PASSING WITH DIAPHRAGM
165	OH7045A	XVC205E COMPONENTS HOLDER
166	OH7077A	POWER CARD PROTECTING PROFILE H55
167	MR1004A	TERMINAL 7FTW GV V0 VL CU 1+2+3/4
168	VM1310A	COVER FOR TERMINAL BOX XB/XV/XVC/
169	CE1355A	CABLE 5 X 2,5 MMQ H07RNF L = 1,5
170	VE1075A	WIRE CLAMP FV 268 RO + FIXING SCR
171	VM1750A	TERMINAL BOARD
172	TR1136A	SAFETY THERMOSTAT UNIP. 330°C
173	CN1003A	CONDENSER6,3 UF
174	VM1745A	BOARD SUPPORT
175	PE1725E	E SERIES CHEFTOP-BAKERTOP POWER C
176	VE1115A	MINI CONTACTOR WITH 4 POLES 20 A 2
177	VM1056A	SUPPORT MINI CONTACTOR VE1115A
179	VE1026A	TRANSFORMER 230-21-12Vac 80VA
185	OH6413A	WATER SYSTEM SUPPORT
186	VM1630A	INTERNAL GLASS PUSHING CAP
187	GN1200A	3/4 CONNECTION SEAL D=24 RUBBER+N
188	RC1365A	3/4"-10 JG FEMALE CONNECTION
189	TB2237A	Ø10 WATER MAIN CONNECTION PIPE
190	VL1034A	Ø10 MESH100 WATER FILTER
191	RC1360A	10 - 10 JG ELBOW FITTING
192	EL1349A	CLIP TO FIX Ø10 mm CONNECTION JOI
193	VL1044B	HOLD DOWN WEIGHT WITH NET FILTER

194	VL1041B	DETERGENT CAP WITH Ø11 HOLE
195	TB2242B	WASHING SYSTEM PIPE 9x6
196	VL1046A	D6 PIPE HOLDER - D6 J.G. TERMINAL
197	RC1373A	Ø6F-Ø6F ELBOW FITTING
198	EL1348A	CLIP TO FIX Ø06 mm CONNECTION JOI
199	VL1047A	D6 PIPE HOLDER - D8 J.G. TERMINAL
200	EL1195B	D8F-D8M ELBOW CONNECTION
201	EL1020A	INTERMEDIATE "T" CONNECTION Ø8
202	EL1115B	Y D8 CONNECTION
203	EL1180A	Ø8 Ø8 FEMALE NON-RETURN CONNECTIO
204	VL1038A	VIBRATION PUMP
205	EL1345A	CLIP TO FIX Ø08 mm CONNECTION JOI
206	VL1014A	PRESSURE REDUCER WITH DISTRIBUTOR
207	EL1185B	D8F-D8F ELBOW FITTING
208	TB2235A	Ø8 DETERGENT PIPE COIL
209	EL1411A	SOLENOID VALVE WITH CHECK VALVE